

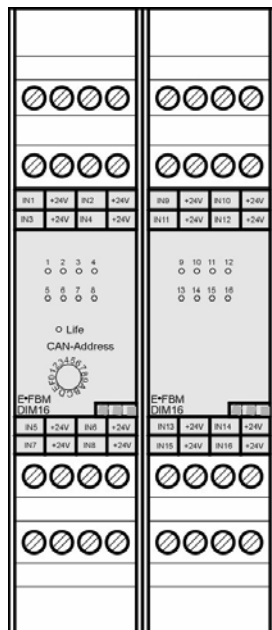
DIGITAL INPUT MODULE – DIM16



Features

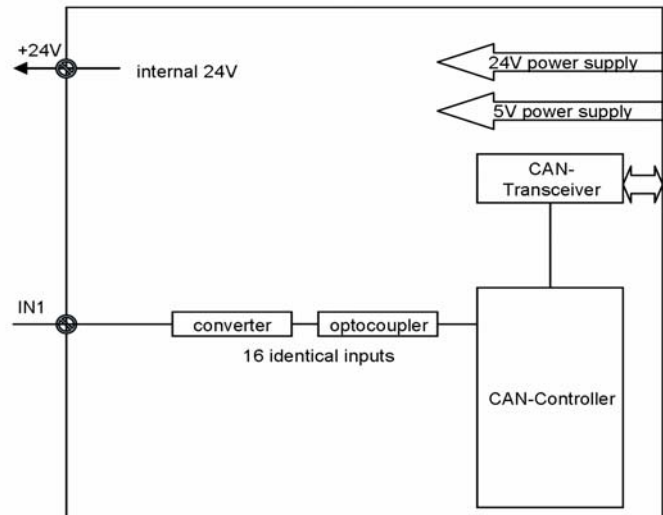
- ▶ Digital input module for 16 optically isolated 24 V signals – 2-wire connection
- ▶ Standard: high-active; parametrisable: low-active
- ▶ Integrated sensor supply 24 VDC for potential-free contacts
- ▶ Signal preprocessing possible e.g. parametrisable debouncing
- ▶ 16 LEDs for signalling the input state
- ▶ Cross-communication to other modules with logical functions
- ▶ Communication by CANopen DS-401, autobaud-recognition
- ▶ Module address type-specifically addressable by a front-switch
- ▶ LED for Life Check
- ▶ Ultra compact design

Connection diagram and terminal assignment DIM16



+24 V
IN1 .. 16

Sensor supply 24 VDC
Input 1 .. 16



Technical specifications

Electrical connection

- ▶ Supply voltage: 5 VDC and 24 VDC by internal ME-bus
- ▶ Supply:
 - Available switching voltage of the inputs typ. 24 VDC (18 .. 32 VDC) via ME bus
 - Logic voltage typ. 5 VDC (4.75 .. 5.25 VDC) via ME bus
- ▶ Supply current: typ. 90 mA, max. 120 mA via 5 V system bus

Interfaces

- ▶ Number of inputs: 16 channels; "0" = -3 .. +5 V, "1" = 15 .. 30 VDC
- ▶ Input current: 12 mA at 30 V input signal
- ▶ Max. signal frequency: ca. 250 Hz
- ▶ Parameterisable filter: Parametrisable digital filter, type low-pass
- ▶ Isolation voltage: 500 V
- ▶ Monitoring functions: Watchdog; thermal and short-circuit protection

Housing

- ▶ Module width: 45 mm
- ▶ Address range: By switch in the range of 50 .. 5F hex
- ▶ Temperature range: -20°C bis +70°C; transport and storage
+0°C bis +50°C; operation
- ▶ Relative humidity: 5 – 95 %, non-condensing
- ▶ Protection: IP20
- ▶ Standards: EC conformation declaration according
 - ▶ 89/336/EWG (EMC-standards)
 - ▶ 73/23/EWG (low voltage standard)