

ANALOG INPUT MODULE – AIM04



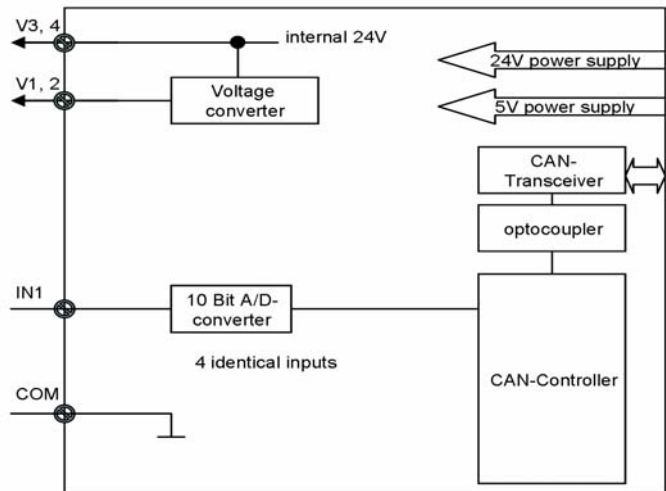
Features

- ▶ Analog input module for 4 single ended signals 2- or 3-wire connections
- ▶ Electrical isolation between the inputs and the system bus
- ▶ Signal preprocessing possible – e.g. parametrisable averaging
- ▶ Selectable 0 .. 10 V or 0 .. 20 mA inputs; signal can be selected by jumper for each input
- ▶ 10 bit resolution / multiplex mode
- ▶ Range 0 .. 20mA, 4 .. 20mA parametrisable by software
- ▶ Cross-communication to other modules
- ▶ Communication by CANopen DS-401, autobaud-recognition
- ▶ Anti-aliasing-filter integrated
- ▶ Module address type-specifically adressable by a front-switch
- ▶ LED for life check
- ▶ Ultra compact design

Connection diagram and terminal assignment AIM04



V1, V2 Sensor supply 10 VDC
 V3, V4 Sensor supply 24 VDC
 COM Signal ground
 IN1 .. 4 Input 1 .. 4



Technical specifications

Electrical connection

- | | |
|-------------------------------------|---|
| ▶ Supply voltage: | 5 VDC and 24 VDC by internal ME-bus |
| ▶ Supply: | |
| - Control voltage for sensor supply | typ. 24 VDC (18 .. 32 VDC) via ME bus |
| - Logic voltage | typ. 5.0 VDC (4.75 .. 5.25 VDC) via ME bus |
| ▶ Supply current: | max. 50 mA via 24 V system bus,
max. 220 mA via 5 V system bus |

Interfaces

- | | |
|---------------------------|---|
| ▶ Number of inputs: | 4 channels |
| ▶ Input voltage range: | 0 .. 10 V; max. 15 V; resolution 10 bit, 1 Ohm |
| ▶ Input current range: | 0 .. 20mA, resolution 10 Bit, shunt maximum 499 Ohm |
| ▶ Max. signal frequency: | 1000 Hz |
| ▶ Parameterisable filter: | Parametrisable digital filter for averaging |
| ▶ Isolation voltage: | 500 V |
| ▶ Monitoring functions: | Watchdog; thermal and short-circuit protection |

Housing

- | | |
|----------------------|--|
| ▶ Module width: | 22,5 mm |
| ▶ Address range: | By switch in the range of 60 .. 6F hex |
| ▶ Temperature range: | -20°C bis +70°C; transport and storage
+0°C bis +50°C; operation |
| ▶ Relative humidity: | 8 – 80 %, non-condensing |
| ▶ Protection: | IP20 |
| ▶ Standards: | EC conformation declaration according <ul style="list-style-type: none"> ▶ 89/336/EWG (EMC-standards) ▶ 73/23/EWG (low voltage standard) |