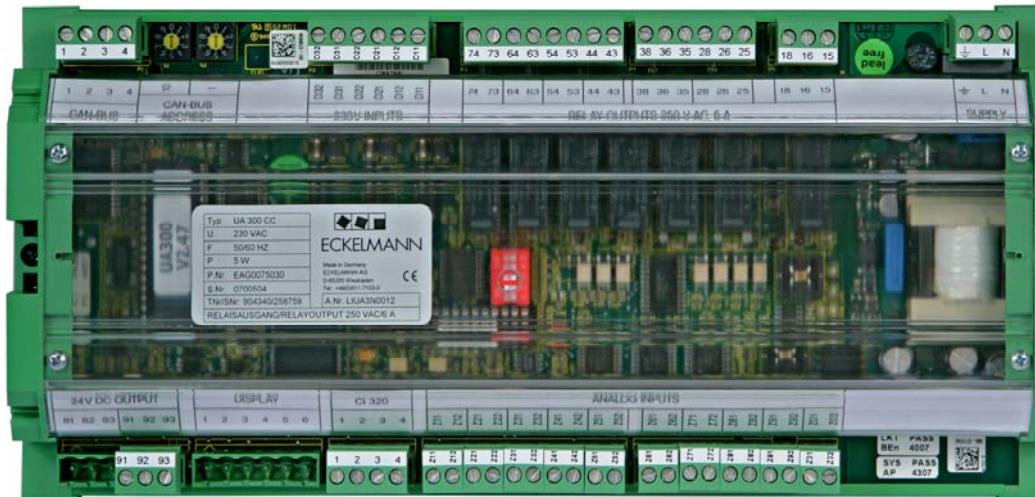


E•LDS: UA 300 L DATA LOGGING CONTROLLER



UA 300 L AC/CC

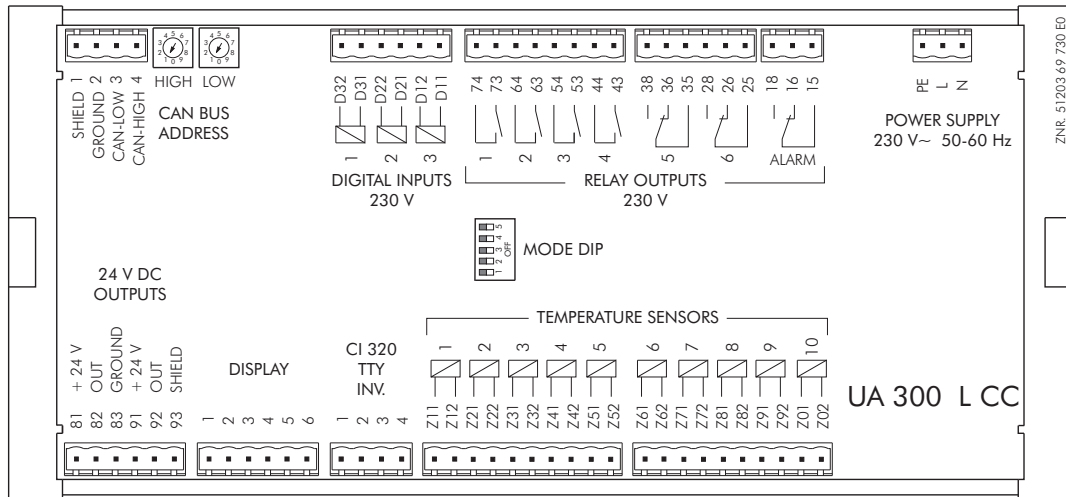
Special functions and features

- ▶ Universal data logging controller for normal-temperature display cases, service counters, low-temperature display cases, walk-in chillers and freezers
- ▶ Controls up to five refrigeration points
- ▶ Connection of up to 10 temperature sensors of differing types (K243 / L243, K277, 5K3A1)
- ▶ ON-OFF control for the first five sensors
- ▶ Sensor description editable by BT 300 x Operator interface
- ▶ Alarm suppression for sensors 1-5 and 6-10 by using of digital inputs
- ▶ High and low temperature alarms divisible by priorities
- ▶ Monitoring of 10 independent refrigeration points
- ▶ Optionally complete with electrical equipment
- ▶ Integral alarm relay
- ▶ Measurement archiving
 - ▶ UA 300 L CC: 2 Temperatures, one year (via CI 3000 if available), complies with EU 37/2005 Regulation
 - ▶ UA 300 L AC: 10 Temperatures, 112 days (tand alone), complies with HACCP Regulation
- ▶ Versatile operation and display capabilities on separate BT 300 x Operator Interface, AL 300 Operator Terminal, CI 3000 Store Computer, service laptop, operator computer in store or host computer at service centre
- ▶ Internal 230 V power supply

Order numbers

- ▶ LIUA3L0011 UA 300 L AC, DIN rail mounting, CAN bus, real-time clock, stand alone, internal archive
- ▶ LIUA3L0012 UA 300 L CC, DIN rail mounting, CAN bus

Connection diagram (by the example UA 300 L CC)



Specifications

Electrical connection

- ▶ Operating Power 230 V AC, 200 - 265 V AC / 50 - 60 Hz / 10 VA

Interfaces

- ▶ Output Relays: Four NO / three make-and-break 250 V AC / 6 A potential free for cooling, alarm, etc.
- ▶ Output Transistors: Two 24 V DC / max. 50 mA, for alarm
- ▶ Digital Inputs: Three 230 V AC floating output for enabling cooling, disabling of temperature alarms
- ▶ Analog Inputs: Ten temperature sensors (Type K243 / L243, K277, 5K3A1) for evaporator, supply air, return air and room air temperatures
- ▶ Field bus: CAN bus / floating output
- ▶ Serial: TTY inverted
- ▶ Operator interface: Suitable connection to BT 300 Family
- ▶ Data archiving: One year with CI 3000 (if available)
112 days in stand alone operation (UA 300 L AC only)
- ▶ Real-time clock: Power reserve, lithium cell (UA 300 L AC only)
- ▶ Monitoring function: Watchdog

General data

- ▶ Module width DIN rail mounting: B 267 x H 128 x D 50 mm
Panel mounting: B 192 x H 96 x T 117,5 mm
- ▶ Temperature range Transport: -20 °C .. +80 °C
Operating: 0°C .. +50 °C
- ▶ Relative humidity Transport: 8 % .. 80 %
Operating: 20 % .. 80 %
- ▶ Protection DIN rail mounting: IP20
Panel mounting: Front mounting frame: IP54
Backside: IP20
- ▶ Standards EC conformation declaration according
 - ▶ 89/336/EWG (EMC-standards)
 - ▶ 73/23/EWG (low voltage standard)