

E•LDS: UA 300 E CASE CONTROLLER



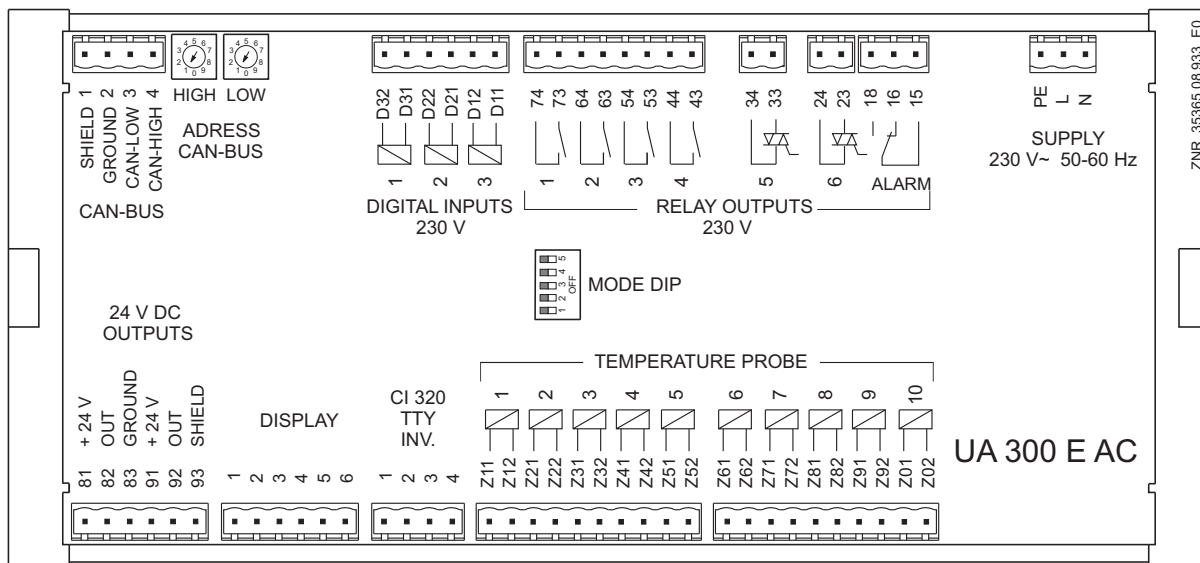
Special functions and features

- ▶ Universal controller for normal-temperature display cases with or without defrost heater, service counters, low-temperature display cases, walk-in chillers and freezers, refrigerant subcooler
- ▶ Custom build for Electronic Expansion Valves (EEV) controlling
- ▶ Controls one or two refrigeration points each with one Electronic Expansion Valve
- ▶ Optional continuous or on-off control of refrigeration temperature
- ▶ Cross-controller master-slave function for coordination of defrosting
- ▶ Connection of up to 10 temperature sensors of different types (K243 / L243, K277, 5K3A1)
- ▶ MOP function
- ▶ Optionally energy save function for anticondensation heater
- ▶ Intelligent superheat control by pressure or temperature difference
- ▶ Discharge gas defrosting, demand defrosting, electric defrost heater and off-cycle defrosting
- ▶ Measurement archiving in stand-alone operation
- ▶ Versatile operating and display capabilities using separate BT 300 x Operator Unit, AL 300 Operator Terminal, CI 3000 Store Computer, service computer, operator computer in store or host computer at service centre
- ▶ Internal 230 V power supply

Order numbers

- ▶ LIUA3E0015 UA 300 E AC Case Controller for two Electronic Expansion Valves (EEV), CAN bus, real time clock, stand-alone, internal archive

Connection diagram UA 300 E AC



Specifications

Electrical connection

- ▶ Operating Power 230 V AC, 200 - 265 V AC / 50 - 60 Hz / 10 VA

Interfaces

- ▶ Outputs
 - Relay: Four N.O. / one changeover 250 VAC / 6 A floating output for defrost, fan, pane heater, alarm, etc.
 - Transistors: Two 24 V DC / max. 50 mA, for alarm, anticondensation heater
- ▶ Digital Inputs: Three 230 V AC floating inputs for setpoint toggle, manual shutoff, coldroom door, defrost
- ▶ Analog: Ten temperature sensors (K243 / L243, K277, 5K3A1) for evaporator, evaporator in, evaporator out, supply air, return air and room air temperatures
- ▶ Field bus: CAN bus / floating
- ▶ Serial: TTY inverted
- ▶ Operator unit: Interface for BT-family
- ▶ Data archiving: One year (via CI 3000 Store Computer if available) and One year (stand-alone)
- ▶ Real-time clock: Battery-backed, lithium cell
- ▶ Monitoring function: Watchdog

General data

- ▶ Module width: B 267 x H 128 x D 50 mm
- ▶ Temperature range
 - Transport: -20°C .. +80°C
 - Operating: 0°C .. +50°C
- ▶ Relative humidity
 - Transport: 8% .. 80%
 - Operating: 20% .. 80%
- ▶ Protection: IP20
- ▶ Standards: EC conformation declaration according
 - ▶ 89/336/EWG (EMC-standards)
 - ▶ 73/23/EWG (low voltage standard)