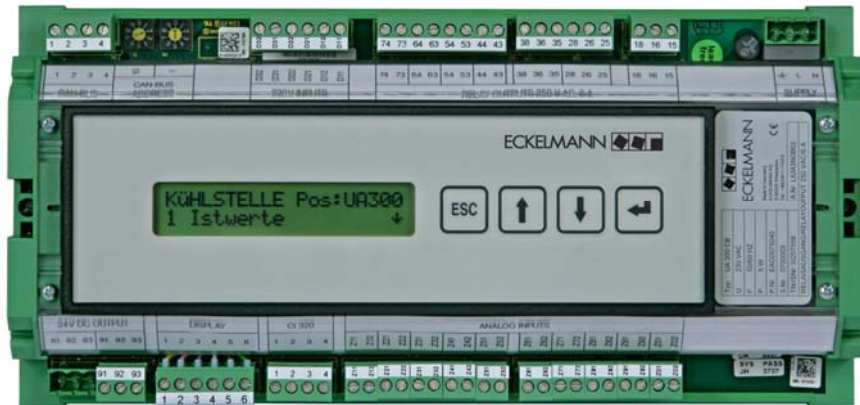


# E•LDS: UA 300 CB/TB UNIVERSAL CASE CONTROLLER WITH INTEGRAL OPERATOR INTERFACE



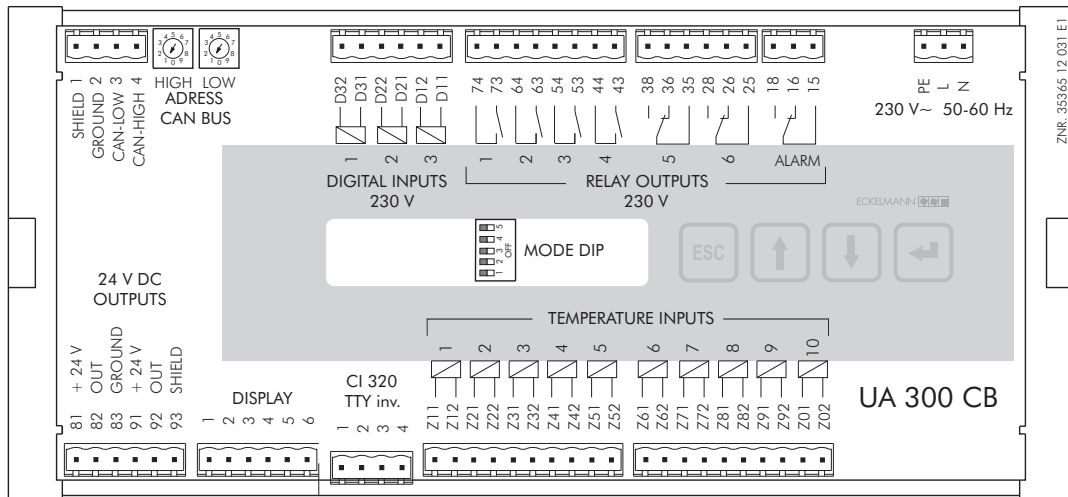
## Special functions and features

- ▶ Universal controller for normal-temperature display cases with or without defrost heater, service counters, low-temperature display cases, walk-in chillers and freezers
- ▶ Controls up to four case units in two temperature zones
- ▶ Connection of up to 10 temperature sensors of differing types (K243 / L243, K277, 5K3A1)
- ▶ Master-Slave function
- ▶ Energy save function for pane and anticondensation heater
- ▶ For discharge gas defrosting, demand defrosting, electric defrost heater and off-cycle defrosting
- ▶ Integral continuous running limiter
- ▶ Measurement and Data archiving with CI 3000 Store Computer (UA 300 CB)
- ▶ Versatile operation and display capabilities with integral BT 300 U Operator Interface  
UA 300 CB only: operation and display with AL 300 Operator Terminal, CI 3000 Store Computer, service laptop, operator computer in store or host computer at service centre
- ▶ Internal 230 V power supply
- ▶ Integral defrost timer
- ▶ Optionally complete with electrical equipment
- ▶ UA 300 TB only:
  - ▶ Measurement and Data archiving in stand alone operation
  - ▶ Application in LDS-Old-System with CI 350 possible
  - ▶ Alternative controller for UA111/UR141 series and controller types HDC900, HDU900, DPC921, HDC850

## Order numbers

- ▶ LIUA3N0B62 UA 300 CB, DIN rail mounting, CAN bus, with integral operator interface
- ▶ LIUA3N0B64 UA 300 TB, DIN rail mounting, CAN bus, real-time clock, stand alone, internal archive, with integral operator interface

## Connection diagram (by the example UA 300 CB)



## Specifications

### Electrical connection

- ▶ Operating Power 230 V AC, 200 - 265 V AC / 50 - 60 Hz / 10 VA

### Interfaces

- ▶ Output Relays: Four NO / three make-and-break 250 V AC / 6 A potential free for cooling, defrosting, fan, pane heater, alarm, etc.
- ▶ Output Transistors: Two 24 V DC / max. 50 mA, for alarm, anticondensation heater
- ▶ Digital Inputs: Three 230 V AC floating output for setpoint toggle, manual shutoff, coldroom door, defrost
- ▶ Analog Inputs: Ten temperature sensors (Type K243 / L243, K277, 5K3A1) for evaporator, supply air, return air and room air temperatures
- ▶ Field bus: CAN bus / floating output (UA 300 CB)
- ▶ Serial: TTY inverted
- ▶ Operator interface: Suitable connection to BT 300 Family
- ▶ Data archiving: One year with CI 3000 (if available) (UA 300 CB)  
One year in stand alone operation (UA 300 TB)
- ▶ Real-time clock: Power reserve, lithium cell (UA 300 TB)
- ▶ Monitoring function: Watchdog

### General data

- ▶ Module width DIN rail mounting: B 267 x H 128 x D 58 mm
- ▶ Temperature range Transport: -20 °C .. +80 °C  
Operating: 0 °C .. +50 °C
- ▶ Relative humidity Transport: 8 % .. 80 %  
Operating: 20 % .. 80 %
- ▶ Protection DIN rail mounting: IP20  
Panel mounting: Front mounting frame: IP54  
Backside: IP20
- ▶ Standards EC conformation declaration according
  - ▶ 89/336/EWG (EMC-standards)
  - ▶ 73/23/EWG (low voltage standard)