

E*LDS Wireless Sensor TS 30 XW / TS 30 W



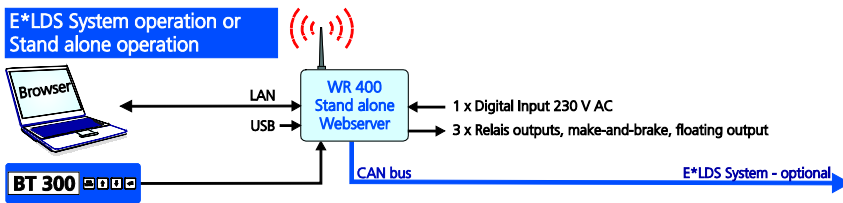
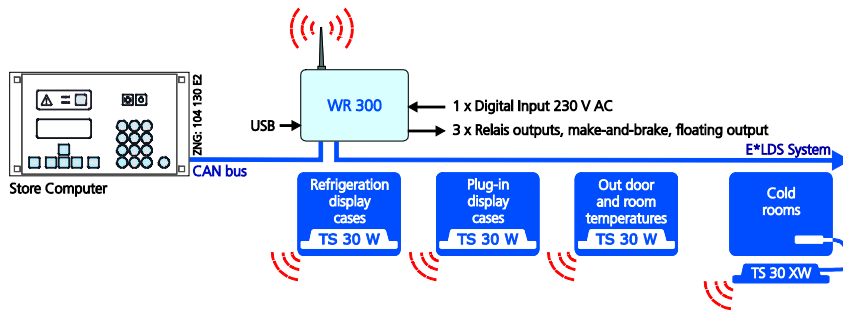
Special functions and features

- Wireless temperature monitoring by radio
E*LDS system integration with smart receiver module
WR 300 / WR 400, up to 100 sensors possible
- Metering range:
-40 °C .. +80 °C
Resolution 0,1K .. 1K (standard: 0,25 K)
Accuracy typical $\pm 0,1$ K, max. $\pm 0,5$ K
- Sampling interval:
configurable from 5 .. 30 minutes
- Internal data buffer for measurement data archiving
up to more than 4 days
- Transmitter frequency: 868 MHz
- Automatic adoption of transmitting power
for optimization of battery life time
- No battery replacement necessary,
Life time at standard conditions 10 years
- Robust housing, hermetically sealed
TS 30 W: IP65
TS 30 XW: IP62 – wireless sensor housing and
IP67 – ext. temperature sensor at the end of the
cable
- Attachment features: Screws, bonding, cable clip

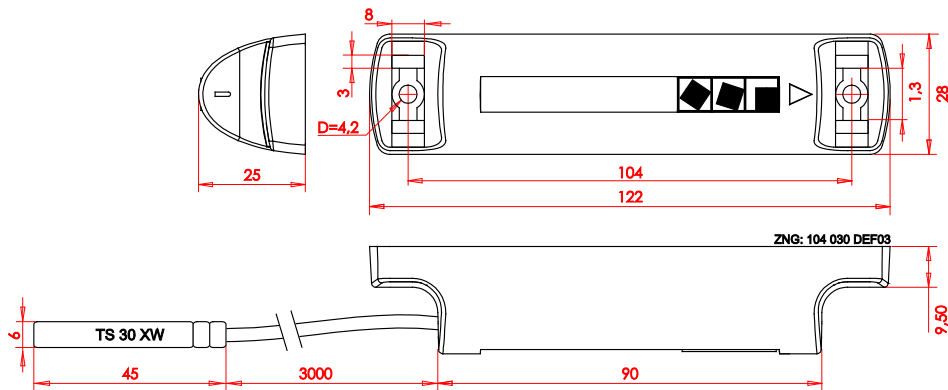
Order numbers

- KGLTS30W01
TS 30 W for wireless temperature monitoring
- KGLTS30XW1
TS 30 XW for wireless temperature monitoring
with external temperature probe (cable length 3 m)
- MAGNWAKEUP
Activate magnet – WAKE ME UP –
- KGLTS30WR1
Receiver module for WR 300 – CAN bus
- KGLTS30WR2
Receiver module for WR 400 – CAN bus,
Stand-Alone, with integrated webserver
- GEHTEMPE01
Housing for temperature sensor

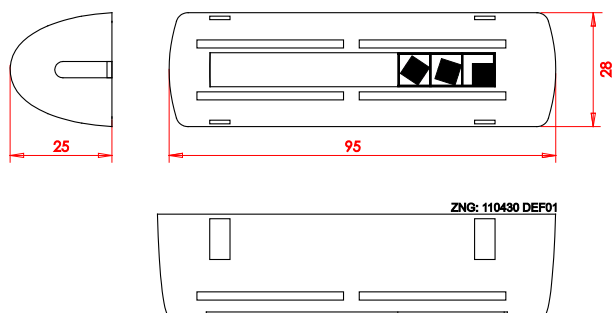
Example of use



Wireless sensor - dimensions in mm



Housing for external temperature sensor TS 30 XW – dimensions in mm



Eckelmann Group – Source of inspiration

Eckelmann AG
 Berliner Straße 161 65205 Wiesbaden Germany
 Telephone +49 611 7103-700 Fax +49 611 7103-133
 elds-support@eckelmann.de www.eckelmann.de

TS 30 W EN-V3.3
 Version from March 2017
 Technical modifications and errors reserved