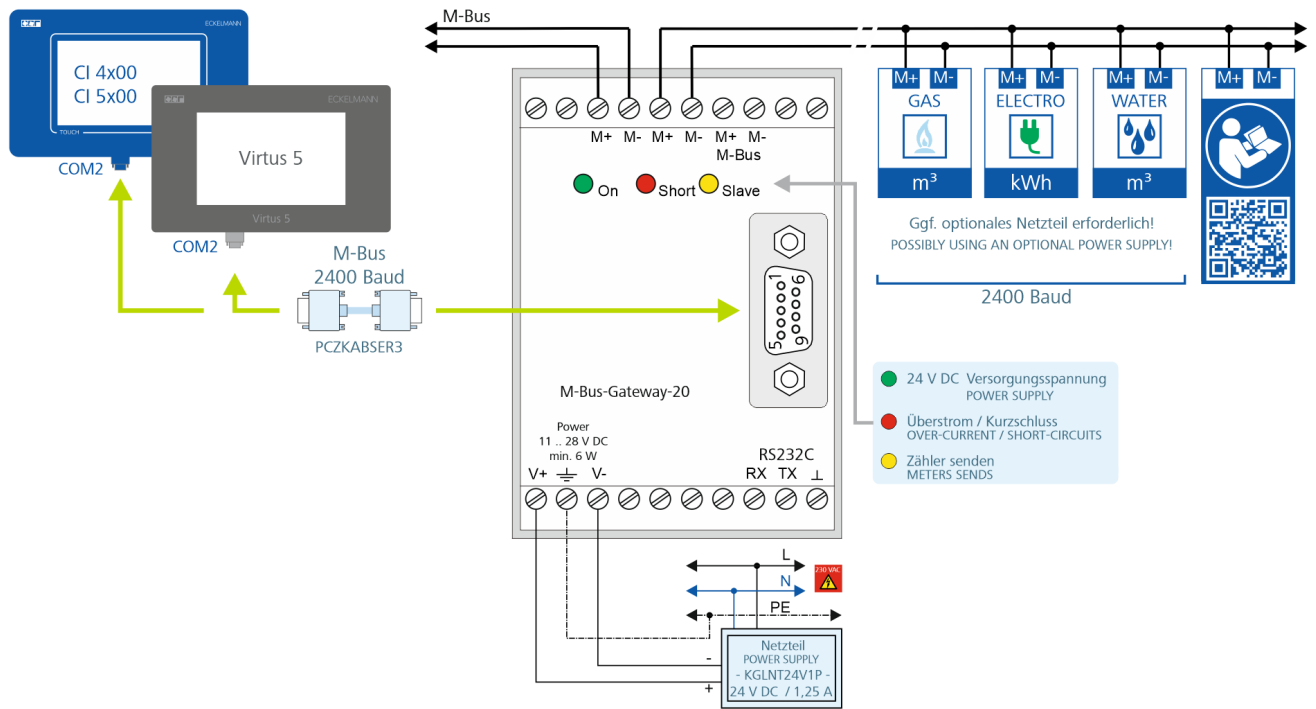


Eckelmann

E*LDS Supported M-Bus meters CI 4x00 / CI 5x00 / Virtus VSC 5x10



Meter type	Manufacturer	Description	Tested type	Resolution	Remarks	
Electro	ABB	A43			-	
	ABB / Berg	DZ+			-	
	EMH / Berg	DCI				-
		DCMi		DCMi462W		-
		MIZ Premium				-
		MCMi		MCMi32WP		-
	Gossen Metrawatt	U128B			-	
	K'electric GmbH	KE-S63 MID M-Bus			-	
	Schneider Electric	A9MEM3235				-
		EcoCount WSD		WSD 32 M	1 kWh	1 phase meter
		EcoCount S 5//1		S 5//1	1 kWh	3 phase current transformer meter
	NZR	EcoCount S85		S85	1 kWh	3 phase direct measuring meter
		Janitza	UMG96 RM-M	UMG96 RM-M	10 Wh	
	TIP	TIP Sinus 85M		TIP Sinus 85M		Supported from CI 5000 / Virtus 5

Eckelmann

Meter type	Manufacturer	Description	Tested type	Resolution	Remarks
Heat quantity	Sensus	Poolthem			Optional power supply required!
		PolluTherm			-
		PolluStat		1 kWh	Supported from CI-firmware V6.1.1
	Minol	Minical			-
	allmess	Megacontrol			Optional power supply required!
	Aquametro	ST C0			-
	Engelmann	SensoStar 2C US			-
	ista	ultega III perfect calculator	UC50-L010-D104-E	1 kWh	Heat quantity meter supported from CI-firmware V6.0.8
			UC50-T010-A104-E	1 kWh	Cooling quantity meter supported from CI-firmware V6.0.8
	WDV Molliné	Ultramess E Split	DME/160	1 kWh	Also known as: <i>Diehl Metering (DME)</i>
		Superstatic 440 plus Supercal 531	qp = 2,5 m ³ /h		Also known as: <i>Sontex</i>
	NZR	Dialog WZ R5.M plus M-Bus module		1 kWh	External M-Bus module only connected optically. Therefore no power calculation.
		Dialog WZ-HY		1 kWh	Supported from CI-firmware V6.6.1
Sontex	Sontex Supercal 531		1 kWh	-	
Cooling quantity	Engelmann	SensorStar2			Supported from CI-firmware V6.6.1
Water quantity	allmess / Itron	M-Bus module BM4 +m 1			-
	techem	m-bus S III			-
	Hydrometer	Flypper 4			-
Pulse memory module	Relay	PadPuls M2C			-
	Schell	M-Count 2C			-
	NZR	IC-M2C		1 kWh	Two pulse meter could be connected, device offers two different M-Bus addresses