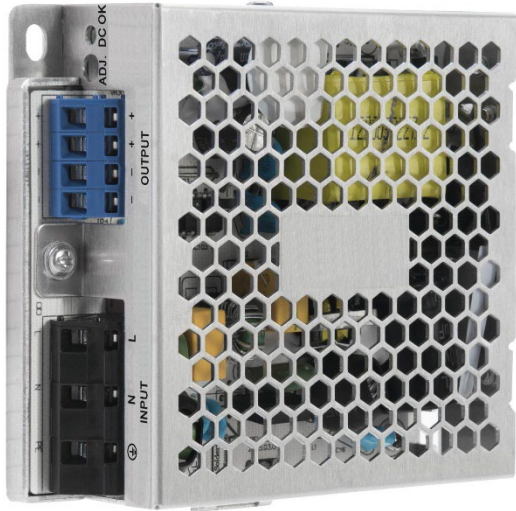


# Eckelmann

Power supply unit 230 V AC | 24 V DC / 1.25 A



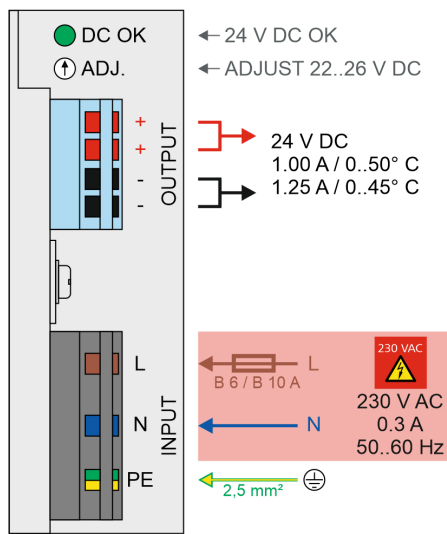
## Function Description

- Power supply unit 230 V AC / 0.3 A | 24 V DC / 1.25 A (at 45 °C) ▪ Temperature range 0 °C .. +50 °C (24 V DC / 1 A)
- Primary switch-mode DC power supply for power supply for industrial electrical and electronic consumers in plant construction
- Electronic protection against overload and short circuit
- Open-circuit protection / feedback protection up to max. 30 V
- Output voltage via trimming potentiometer adjustable between 22..26 V DC
- Green status LED "24 V DC OK"
- Contamination degree 2 (according to EN 50178)
- Protection rating IP 20
- Dimensions: W 30 x H 90 x D 99 mm
- For DIN rail mounting according to EN 60715 or with bolts (2x M4) on the mounting plate

## Order number

KGLNT24V1P      Power supply unit 230 V AC | 24 V DC / 1.25 A

# Power supply connection



## Technical data

### Electrical connection

- Input voltage 230 V AC / 0.3 / 50..60 Hz (fuse protection via circuit breaker B 6 A / B 10 A)
- Output voltage 24 V DC / 1.25 A (0..45 °C) /  $P_{OUT\ nom}$  30 W  
24 V DC / 1.00 A (0..50 °C) /  $P_{OUT}$  24 W  
Output voltage adjustable between 22..26 V DC (24 V DC ex works)
- Control accuracy 1%
- Residual ripple < 200 mVpp
- Efficiency Typical 80%
- Power loss 6 W  
Recommended minimum distance from neighbouring parts with natural convection, horizontal installation position and ambient temperature +60 °C, UIN 230 V AC and POUT 12 W:  
left / right: 15 mm  
top / bottom: 70 mm
- Status LED (green) ON: 24 V DC OK and output voltage UOUT switched on  
OFF: In the event of a short circuit ( $I_{OUT} > 1.4 \times I_{OUT\ NOM}$ )  
the status LED and the output voltage UOUT are switched off!

### General data

- Dimensions W 30 x H 90 x D 99 mm (height D from top edge of mounting rail)
- Weight 0.25 kg
- Temperature range Storage -25 °C .. +70 °C  
Operation -20 °C .. +60 °C (non-condensing)
- Relative humidity Operation 10% .. 95%
- Protection rating IP20
- Contamination degree 2 (according to EN 50178)
- Vibration stress 0.7 g (according to EN 60068-2-6)
- Shock stress 15 g (according to EN 60068-2-27)
- Standards and approvals EN 61204-3, EN 60335-1, EN 62368-1